

Applications

 Construction and Demolition
 Grading and Leveling

 Landscaping
 Road work, Recycling and Cleaning

Main features

 Blade has a reversible cutting edge that is also easily replaceable.
 Bob-Tach™ mounted.
 Blade manually adjusts sideways up to 30 cm either way.

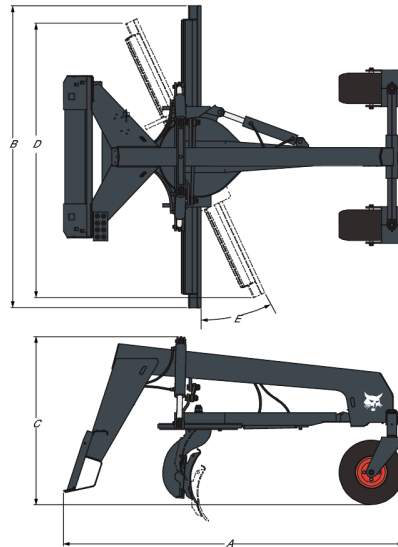
 Optional laser control package for precise grade control in flatwork contracting.
 Attachment control kit must be installed on Bobcat loader to operate attachment.
 3 cylinders for precise positioning of the blade

Compatibility

Description	Item number	Compatible with loader
Grader 213 cm	6906480	S630-E, S650-E, S770-E, A770-E, S510-E, S510-B, S530-E, S530-B, S550-E, S550-B, S570-E, S570-B, S590-E, S590-B, S450-E, T450-E, S630-E2, S650-E2, S770-E2, A770-E2, S550-E2, S570-E2, S590-E2, T590-E2, S450-B, S630-B, S650-B, S770-B, A770-B
Grader 244 cm	7160005	T870-E, S850-E, T650-E, S770-E, T770-E, A770-E, T650-E2, S770-E2, T770-E2, A770-E2, S850-E2, T870-E2, S770-B, S850-B, T650-B, T770-B, T870-B, A770-B, T870-E2, T870-B
Grader 274 cm	7182060	T870-E, S850-E, S770-E, T770-E, A770-E, S770-E2, T770-E2, A770-E2, S850-E2, T870-E2, S770-B, S850-B, T770-B, T870-B, A770-B, T870-E2, T870-B

Characteristics and performance

Description	Item number	Blade angle (Right or Left) (°)	Blade width fully angled (D) (mm)	Sideshift	Blade side-shift Left/Right (mm from center)
Grader 213 cm	6906480	25.0	1933.0	Manual	305
Grader 244 cm	7160005	30.0	2126.0	Hydraulic	330
Grader 274 cm	7182060	30.0	2380.0	Hydraulic	330

Weights and dimensions


Description	Item number	Operating weight (kg)	Shipping weight (kg)	Overall length (A) (mm)	Overall width (B) (mm)	Overall height (C) (mm)
Grader 213 cm	6906480	624.0	624.0	2400.0	2134.0	1187.0
Grader 244 cm	7160005	1264.0	1264.0	2642.0	2438.0	1522.0
Grader 274 cm	7182060	1298.0	1298.0	2642.0	2743.0	1522.0